



# Installation Instructions

## Cessna Fairing Kit (KIT-01-1091)



AeroLEDs, LLC  
 8475 W. Elisa St.  
 Boise, ID, 83709  
 208-850-3294

**NOTE:** A printed copy of this document may not be the latest revision. It is the responsibility of the user to ensure that the latest revision is used. The latest revision of this document may be printed from the AeroLEDs electronic document repository. Revision history follows on page 2

This document contains proprietary information of AeroLEDs. Neither receipt nor possession thereof confer any right to reproduce or use, or disclose, in whole or in part, any such information without written permission from AeroLEDs.

| Approval                  | Name   | Intent   |                       |
|---------------------------|--|--|-----------------------|
| Author                    | Jennifer Blanchfield   | Installation instructions for Cessna Fairing (KIT-01-1091) |                       |
| Check                     | Nate Calvin  |  |                       |
| Quality                   | Mark McCormack   |  |                       |
| Date:                     | 12 October 2020  |  |                       |
| <b>Status:</b><br>Release | Typed signatures indicate approval. Handwritten, or electronic signature approval of this document is on file at AeroLEDs, Boise, Idaho. | <b>Document Number</b><br>0115-0001                        | <b>Revision</b><br>IR |



## REVISION RECORD

| Rev | Description      | Date       | Author         |
|-----|------------------|------------|----------------|
| IR  | Original Version | 10/12/2020 | J. Blanchfield |

# TABLE OF CONTENTS

|     |                         |   |
|-----|-------------------------|---|
| 1   | System Description..... | 4 |
| 2   | Model Numbers .....     | 4 |
| 3   | Materials.....          | 4 |
| 4   | Installation .....      | 5 |
| 5   | Diagrams .....          | 6 |
| 5.1 | Fairing Diagram.....    | 6 |
| 5.2 | Bracket Reference.....  | 6 |



# 1 System Description

The Cessna wingtip fairing kit is used to refine the fit of the AeroLEDs Pulsar NS light installation. The fairing is a cover for gaps and spaces between the light and wingtip of the aircraft. This helps to reduce drag and improve appearance.

# 2 Model Numbers

|               |  |
|---------------|--|
| Cessna models | 150L, 150M, 152, 172L, 172M, 172N, 172Q, 172R, 172S, 172RG, 177B, 177RG, 180H, 180J, 180K, 182N, 182P, 182Q, 182R, 182S, 182T, T182T, R182, A185F, 185E, U206F, U206G, TU206F, TU206G, 210K, T210K, 210L, T210L, 210M, T210M, 210N, T210N, P210N, 210R, T210R, P210R |
|---------------|--|

# 3 Materials

| Part #    | Description                    | Qty |
|-----------|--------------------------------|-----|
| 01-1091-L | WINGTIP-ADAPTER, Cessna, Left  | 1   |
| 01-1091-R | WINGTIP-ADAPTER, Cessna, Right | 1   |
| 00-9033   | NS-Template, Cessna Fairing    | 1   |
| 00-8914   | SCREW,FHPMS 6-32 x 2,10        | 6   |
| 00-8915   | SCREW,THPMS 6-32 x 5/8         | 4   |
| 00-8891   | NUT-HEX,6-32,SS                | 12  |

## 4 Installation

For a more detailed installation instruction, please watch AeroLEDs Cessna Fairing Wingtip Installation video: <https://aeroleds.com/video-gallery/> or [https://www.youtube.com/watch?v=eX7VjWS\\_PMI&t=13s](https://www.youtube.com/watch?v=eX7VjWS_PMI&t=13s)

### **Fairing preparation:**

1. Remove the current fairing, hardware, and light(s) from wingtip.
2. Cut and trim new fairings as needed for best fit to existing wingtip per AC 43-13.
3. Use NS template(00-9033) and a fine point marker to mark mounting holes and wiring hole to wingtip fairing
4. Drill a pilot hole in center of each hole location using 1/16<sup>th</sup> bit
5. Drill final size hole in each bracket location using a #25 (.1495) bit
6. Drill final size hole in wiring location using a 7/8 universal bit  
**Note:** If needed, use a hand file to clean up edges of wiring hole and to open up any extra spacing for connectors.
7. Test fit fairing to wingtip to verify proper hole alignment
8. Lightly rough up and prep surface of fairing for primer and paint
9. Prime and paint fairing, set aside to dry/cure

### **Light/Fairing attach:**

1. Use three 6-32 x 2-inch screws to attach light bracket and fairing to wingtip
2. Insert each screw through bracket, fairing, and thread into nut plates on inside of wingtip
3. Thread each screw to ~ 1/2 to 3/4 inch through nut plates  
**Note:** Do not thread and tighten screws completely
4. Lift light bracket up and away from fairing, hold in place using a screwdriver or Allen wrench
5. Thread light wires through wiring hole
6. Place light onto bracket and slide into place
7. Use set screw(provided with light) and Allen wrench, tighten and secure into place
8. On inside of wing, add two 6/32 nuts to each of the screws
9. Use 5/16 wrench to hold inside nut and 5/16 socket to hold outside nut; tighten two nuts so they lock together
10. Use 5/16 socket to reverse action on tighten nuts, alternating between each screw. This is to pull/thread screws so light bracket is flush to fairing
11. Once light is flush and secure, remove the outside nut on each screw
12. With remaining nut, tighten to nut plate on each screw to secure light and fairing to wingtip
13. Locate fairing corner mounting holes on inside of wingtip
14. One at a time, use a light to illuminate through each hole
15. With a fine point marker, mark each outside corner of fairing
16. Drill a pilot hole in center of each hole location using 1/16<sup>th</sup> bit
17. Drill final size hole in each location using a #25 (.1495) bit
18. Use two 6-32 x 5/8 screws, insert through fairing and into nut plates in wingtip
19. Tighten to secure

# 5 Diagrams

## 5.1 Fairing Diagram

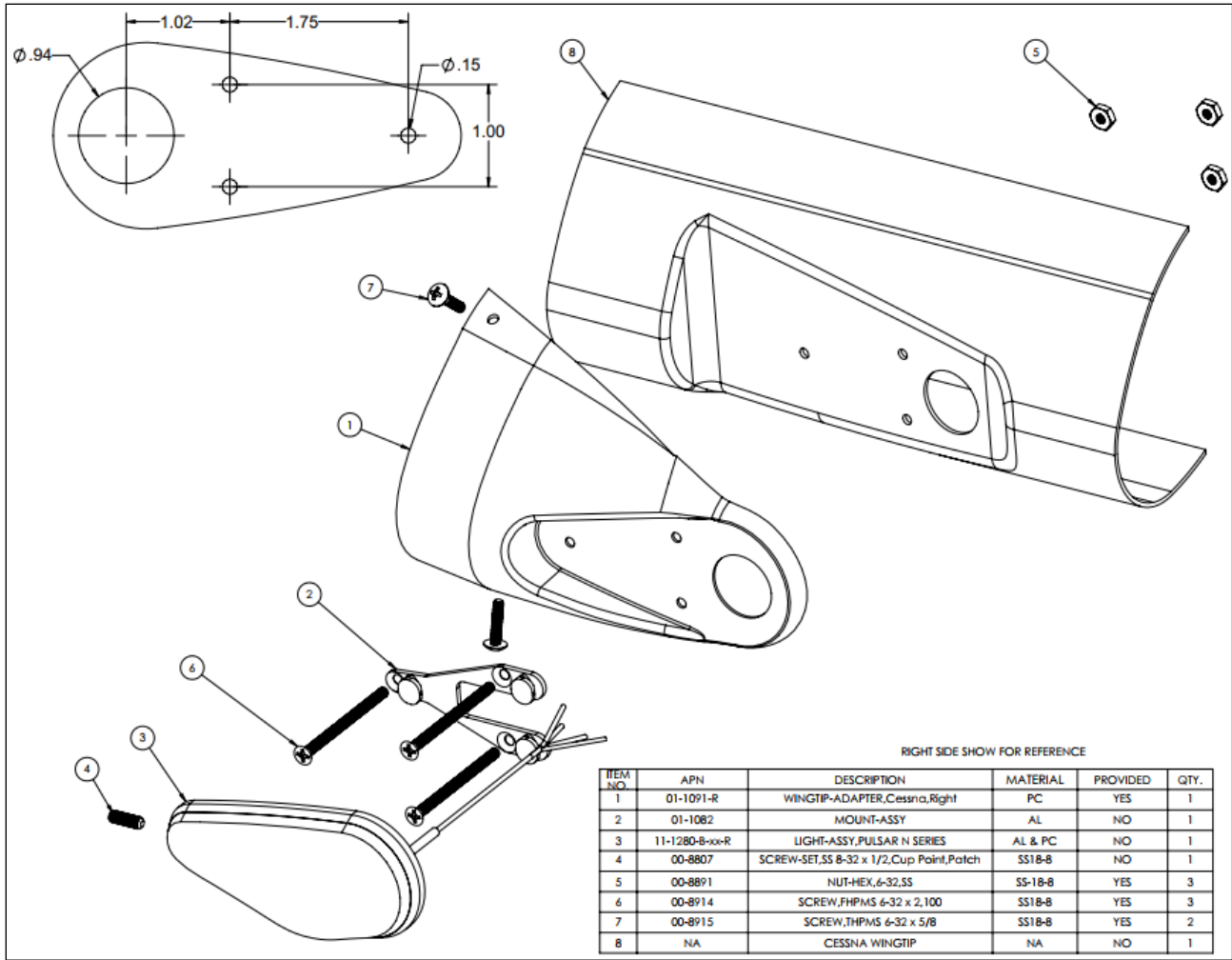


Figure 5-1

## 5.2 Bracket Reference

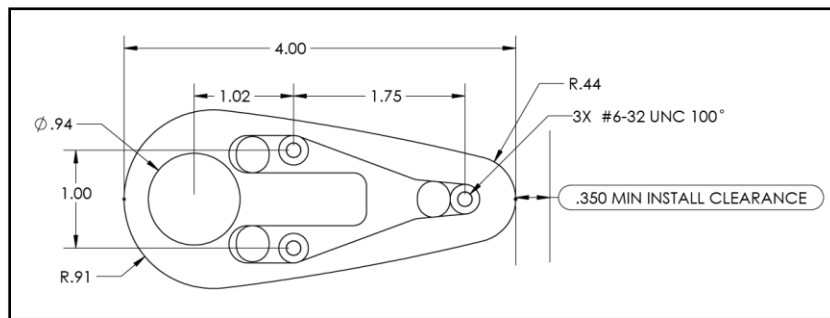


Figure 5-2