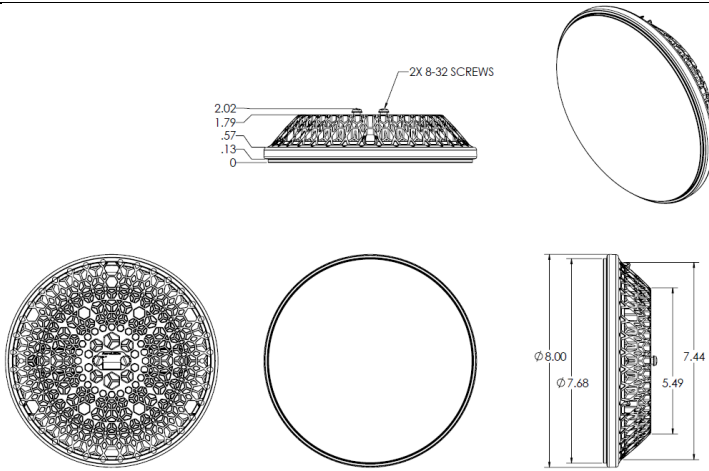


0106-0004
AeroLEDs LLC
8475 W. Elisa St.
Boise, ID 83709
Phone: (208) 850-3294
www.aeroleds.com
sales@aeroleds.com

Installation Guide:
Sunspot 64
P/N 01-2150-A
LED Landing light



Operating Instructions:

Operational Voltage: 14 and 28 Volt DC Systems
Input Current: 4A at 28V, 8A at 14V

EQUIPMENT LIMITATIONS:

Mount in approved PAR64 bulb holder with circuit breaker or fuse appropriate for rated current. The procedures contained herein are not intended to conflict with the procedures set forth by aircraft and engine manufacturers, nor do they supersede the FAA approved manuals and FAA regulations. If necessary, consult AC 43.13-1B for guidance on acceptable methods, techniques, and practices.

CONTINUED AIRWORTHINESS:

The Sunspot 64 LED landing or taxi light assembly is designed with 25 high power LEDs mounted behind lenses. Should more than two LEDs fail, the unit must be replaced.

Inspect the light in accordance with the aircraft maintenance manual inspection requirements for the landing lights. Use welding goggles for eye safety when inspecting for failed LED.

Troubleshooting: Check for bus voltage at power input wire to the light, reestablish power if inadequate power is found. Check for excessive resistance at light ground and repair if

necessary. Remove the light and bench check light if wiring is verified good.

INSTALLATION PROCEDURES:

1. The installation procedure described in the following text is for a single light installation, and multiple light installations. **Please read through all instruction steps before performing light system installation.**
2. Refer to the aircraft manufacturer's service manual and/or illustrated parts catalog: Locate the landing and/or taxi light system installed in your aircraft. This will provide details on the location of the components and the assembly details.
3. **WARNING:** If the aircraft being modified incorporates a remote sensor (flux gate) compass: DO NOT mount the LED light within 24 inches of the remote compass components. After installation of the LED lighting system, a compass swing MUST be performed with the landing/taxi lights ON & OFF and the position error card must be annotated accordingly.
4. **WARNING:** DO NOT mount the LED light with less than 4 inches clearance to exhaust system components unless an adequate heat shield is utilized to block radiant heat.
5. **WARNING:** On all aircraft that are being modified it is IMPORTANT to check the size of the power supply wire to the landing lights. Confirm that wire of sufficient wire gauge is installed for the wire length. Refer to AC43.13-1B Paragraph 11-66(d) and Figure 11-2 for wire sizing. If the aircraft power supply wire is undersize it MUST be removed and a new wire installed in its place.

6. REMOVAL:

- a. Prepare the aircraft for maintenance: Make sure all switches are in the OFF/NORMAL position, disconnect the aircraft battery(s), disconnect power from the aircraft, attach maintenance warning tags, pull landing/taxi light circuit breakers.
- b. Reference airframe manufacturer’s current maintenance manual to remove any light covers to gain access to lamp assembly(s) and bracket(s).
- c. Disconnect connection to positive aircraft power.
- d. Disconnect ground from aircraft power.
- e. Remove existing lamp(s) from brackets, mark and retain hardware.
- f. Record weight of removed lamps.

7. INSTALLATION:

- a. Reference airframe manufacturer’s current maintenance manual and install LED light(s) in brackets using retained hardware.
- b. Attach wires with #8 ring terminals to the screw terminals on the rear of the light. The screw terminals are not polarized, so the power and ground can be connected to them in either order.

- c. Power up aircraft and verify proper operation of LED light(s).
- d. Using the appropriate aircraft maintenance manual, verify that the light angle has not changed, and is oriented & aimed in accordance with manufacturer’s instructions.
- e. Reinstall any light cover(s) removed to gain access to lamp assembly(ies) and bracket(s).
- f. Fill out and submit appropriate form 337 for work accomplished, and enter appropriate logbook entry detailing work.
- g. Perform an operational check of the landing/taxi light(s) in accordance with 14CFR 91.407 (b) and/or (c) to determine that the installed landing/taxi light(s) provide enough light for night operations in accordance with 14CFR 23.1383.
- h. Weight & balance change from standard position light assemblies to LED landing light assemblies is considered negligible.

DO-160E Section	Compliance Level
4	F2
5	F2
6	C
8	U
9	H
10	S
11	F
12	D
13	F
14	S
15	A
16	Z
17	A
18	Z
19	ZC
20	RR
21	H
22	A2E2

INSTALLATION INSTRUCTIONS REVISION RECORD SHEET

Revision Number	Effective Date	Inserted By	Page Numbers Revised
IR	12/09/2011	Dean Wilkinson	All
A	06/12/2012	Dean Wilkinson	All
B	09/16/2013	Dean Wilkinson	All
C	06/18/2015	Dean Wilkinson	All
D	02/04/2018	Robert Prew	All