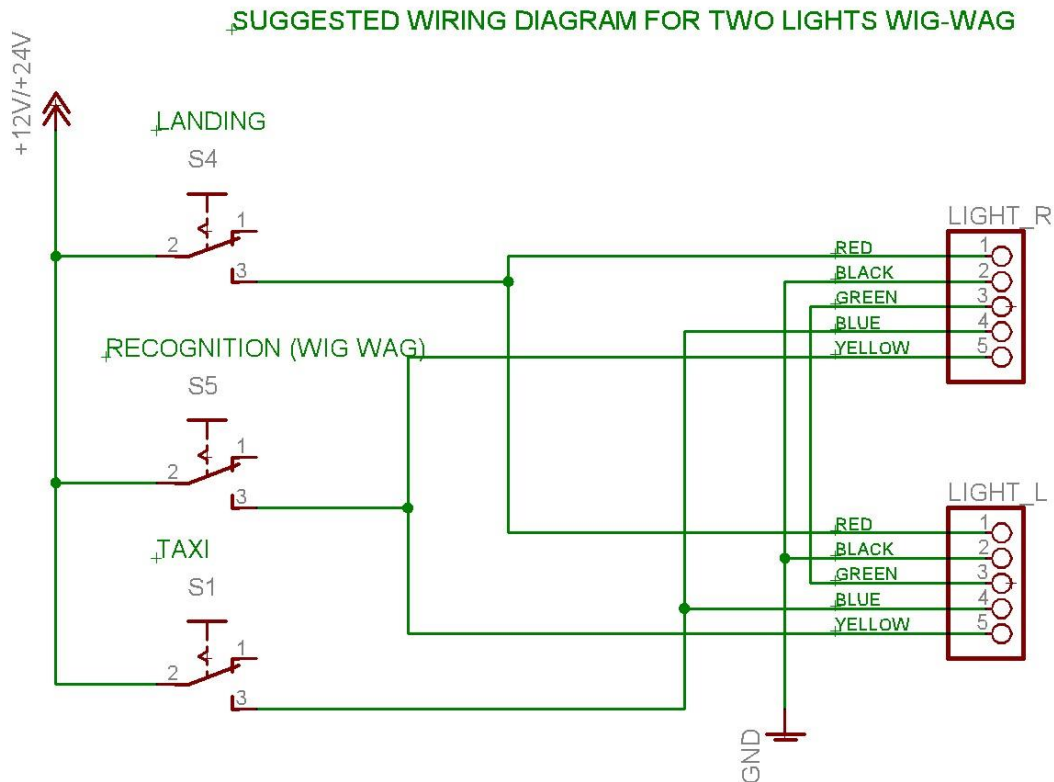




Vx Wiring Diagram

For installation instructions see www.aeroleds.com:
Products > Landing/Taxi > Experimental > AeroSun Vx
and then select "Installation" in the PDF Documents listing.



Voltage: 9-40VDC

Operating Current: 12A Landing, 3A Taxi at 14VDC

Power Consumption: 165 Watts

Electrical Connection:

Red Wire: 18 gauge landing mode power

Black Wire: 18 gauge ground return

Yellow Wire: 18 gauge pulse mode power

Blue Wire: 20 gauge taxi mode power

Green Wire: 20 gauge synchronization signal