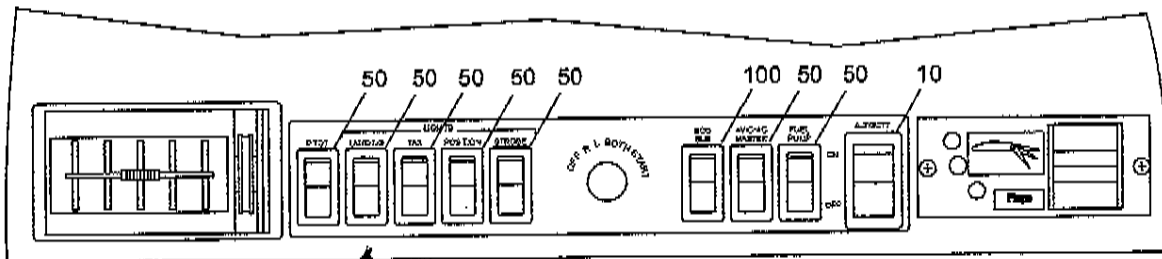
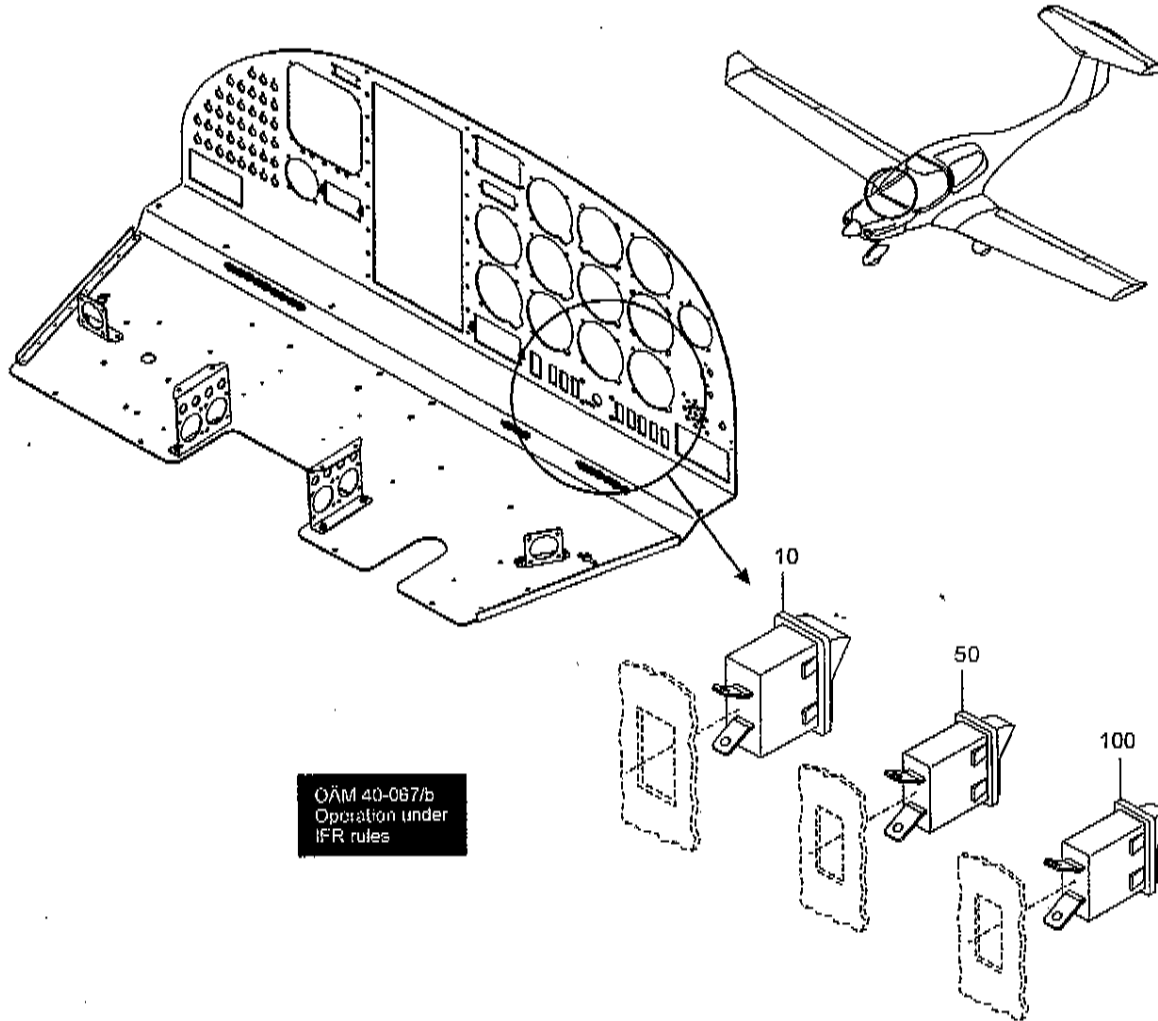


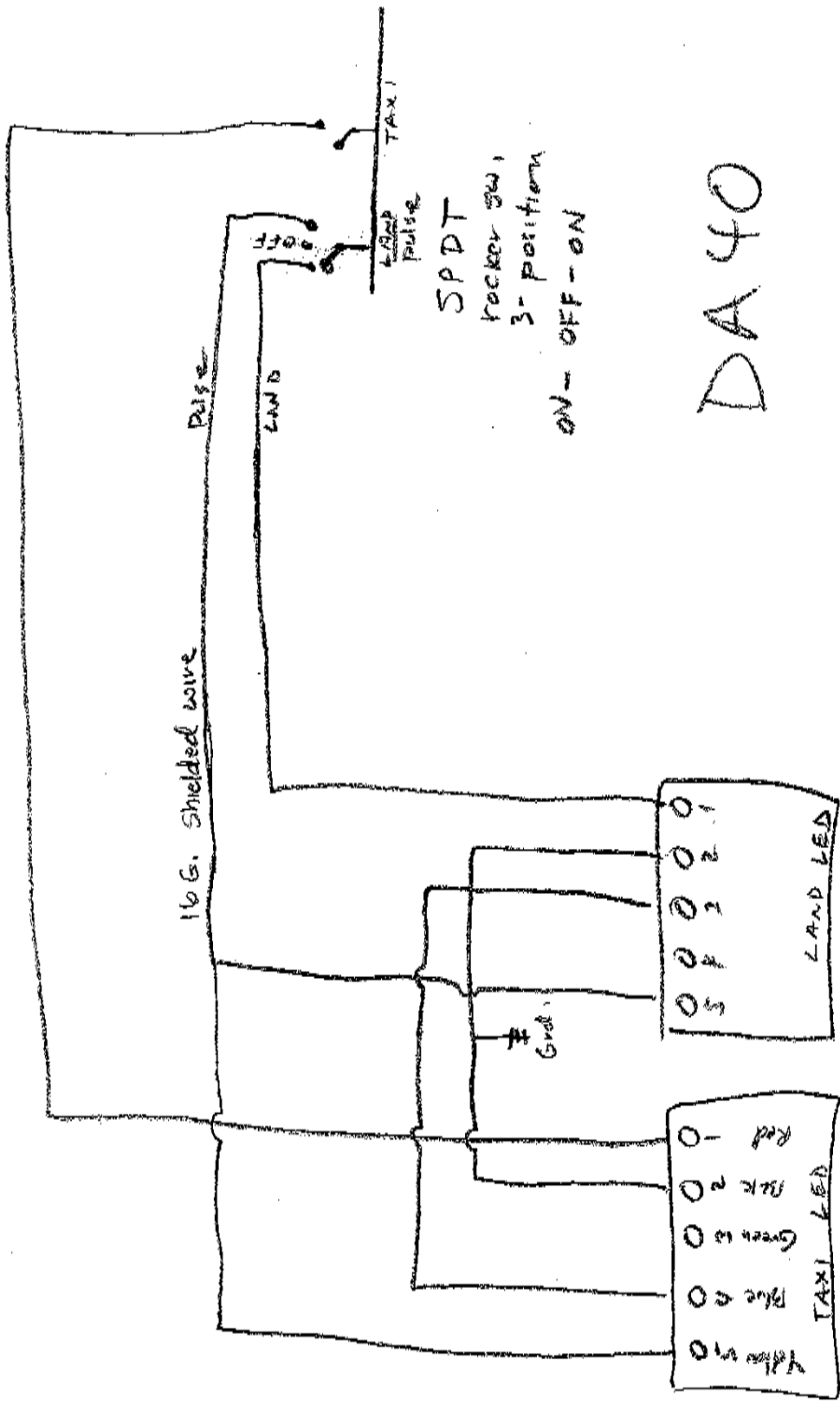
Load Distribution



DA40 IPC



replace with #54-063 rocker switch (SPDT) * THIS will fit the panel cut out.
R| Fig 08 Switches - IFR



SPDT
 rocker sw,
 3- position
 ON - OFF - ON

DA 40

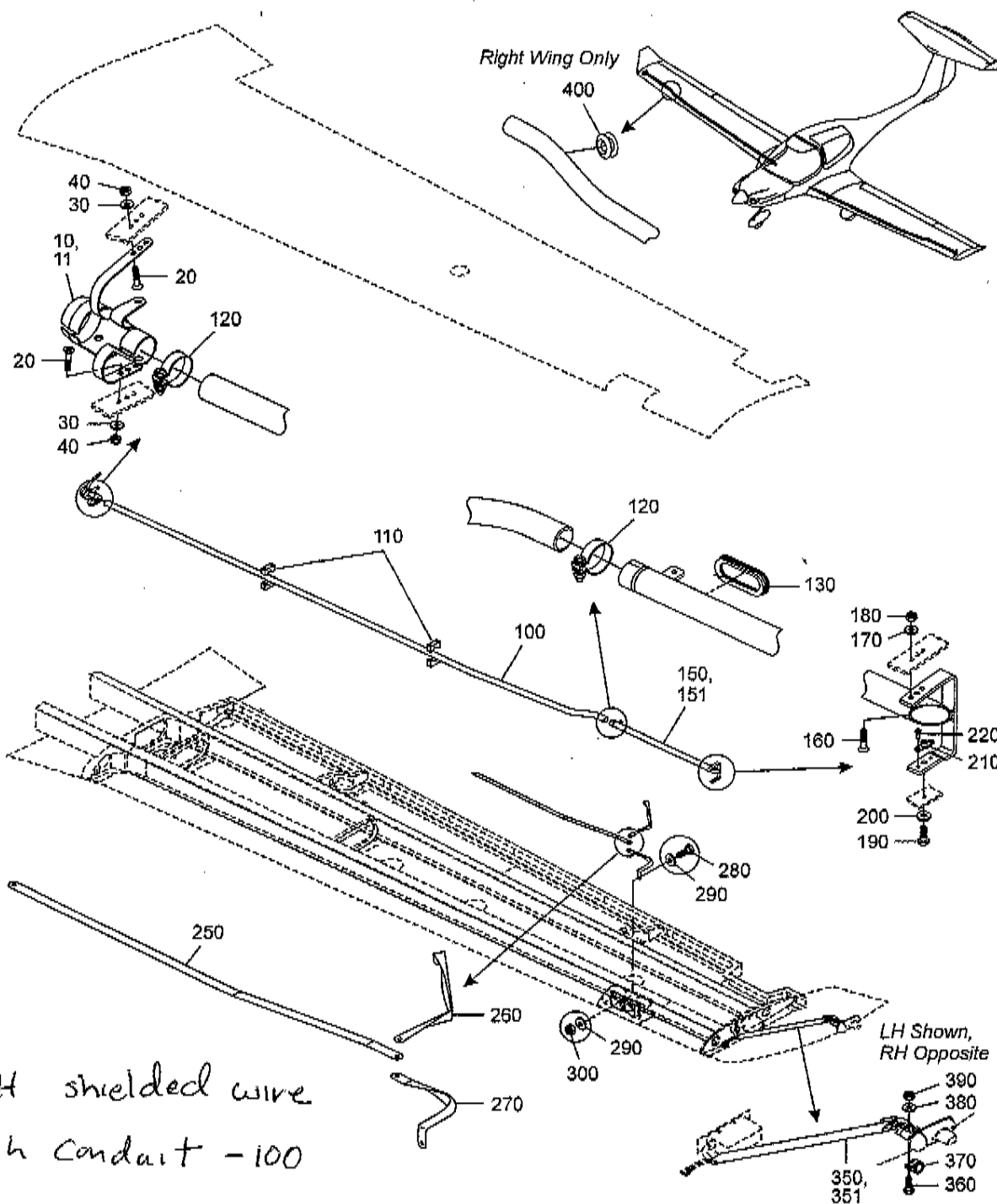
I/B

O/B

Lightning Protection



DA40 IPC



R| Fig 03 Wings

NOTICE

Weight and balance or operating limitation changes shall be entered in the appropriate aircraft record. An alteration must be compatible with all previous alterations to assure continued conformity with the applicable airworthiness requirements.

8. Description of Work Accomplished

N777ZV

3-15-2016

Nationality and Registration Mark

Date

Removed (2) ea. original equipment landing / taxi lamps. Whelen P/N 01-0770346-01 (quartz halogen). Installed (2) ea. Aero-LED's P/N 90-1000 (Sunbeam). FAA-PMA approval number PQ5259NM in original location L/H wing. Used existing mounts/brackets. Replaced landing light control switch with similar rated 3-position rocker switch, SPDT P/N 54-063. The new switch functions are (normal) landing - off - pulse. The pulse feature will operate both LED assy. in a alternating "on-off" fashion. Used existing 5 amp circuit breaker. Referenced AeroLED's installation guide Doc. 0013-0004, rev.1R, pg. 1-6. ICA is included with document. The taxi light function and control will remain the same. Updated equipment list. Weight change negligible.

----- END -----