



Installation Instructions

Sync Circuit (PN: 00-8120)



AeroLEDs, LLC
 8475 W. Elisa St.
 Boise, ID, 83709
 208-850-3294

NOTE: A printed copy of this document may not be the latest revision. It is the responsibility of the user to ensure that the latest revision is used. The latest revision of this document may be printed from the AeroLEDs electronic document repository. Revision history follows on page 2

This document contains proprietary information of AeroLEDs. Neither receipt nor possession thereof confer any right to reproduce or use, or disclose, in whole or in part, any such information without written permission from AeroLEDs.

Approval	Name	Intent	
Author	Jennifer Blanchfield	Installation and operation instructions for the Sync Circuit	
Check	Nate Calvin		
Quality	Mark McCormack		
Date:	14 March 2024		
Status: Released	Typed signatures indicate approval. Handwritten, or electronic signature approval of this document is on file at AeroLEDs, Boise, Idaho.	Document Number 0017-0002	Revision E



REVISION RECORD

Rev	Description	Date	Author
E	Wiring correction, remove quad light installatoin	8/27/2024	J.Savino
D	Updated Logo images	3/14/2024	J. Blanchfield
C	Image updates	09/23/2020	J. Blanchfield
B	Instruction, Image, and Diagram updates	07/17/2020	J. Blanchfield
A	Updated to standard format and new design	10/21/2019	R. Prew
IR	Initial Release	03/13/2016	M. D'Amico

TABLE OF CONTENTS

1	System Description	4
2	Model Number	4
3	Installation	4
3.1	Functionality	4
3.2	Dual Light Installation	4
4	Wiring Diagrams	5
4.1	Wiring Diagram for Dual Lights with Pulse	5

1 System Description

The Sync Circuit is used to synchronize pulse features when using multiple lights, this becomes especially important when lights are in close proximity. This circuit can be used to increase visibility of lights by creating synchronized flashing. It is for use between any two wigwag lights to increase safety via visibility.

2 Model Number

Part Number	Description
00-8120	Synchronizer Circuit

3 Installation

This document is for multiple light installations that have built-in recognition function where synchronized flashing (Pulse) is desired over alternating flash (WigWag).

3.1 Functionality

1. Synchronizer Circuit is to be wired between multiple lights that have integrated Wig-Wag functionality
2. Synchronizer circuit will enable lights to pulse in unison, rather than alternating between pairs

3.2 Dual Light Installation

1. Connect Black wire from synchronizer circuit to aircrafts ground bus
2. Connect Green wire from one light to Blue wire of synchronizer circuit
3. Cap and Stow unused blue and green wires

4 Wiring Diagrams

4.1 Wiring Diagram for Dual Lights with Pulse

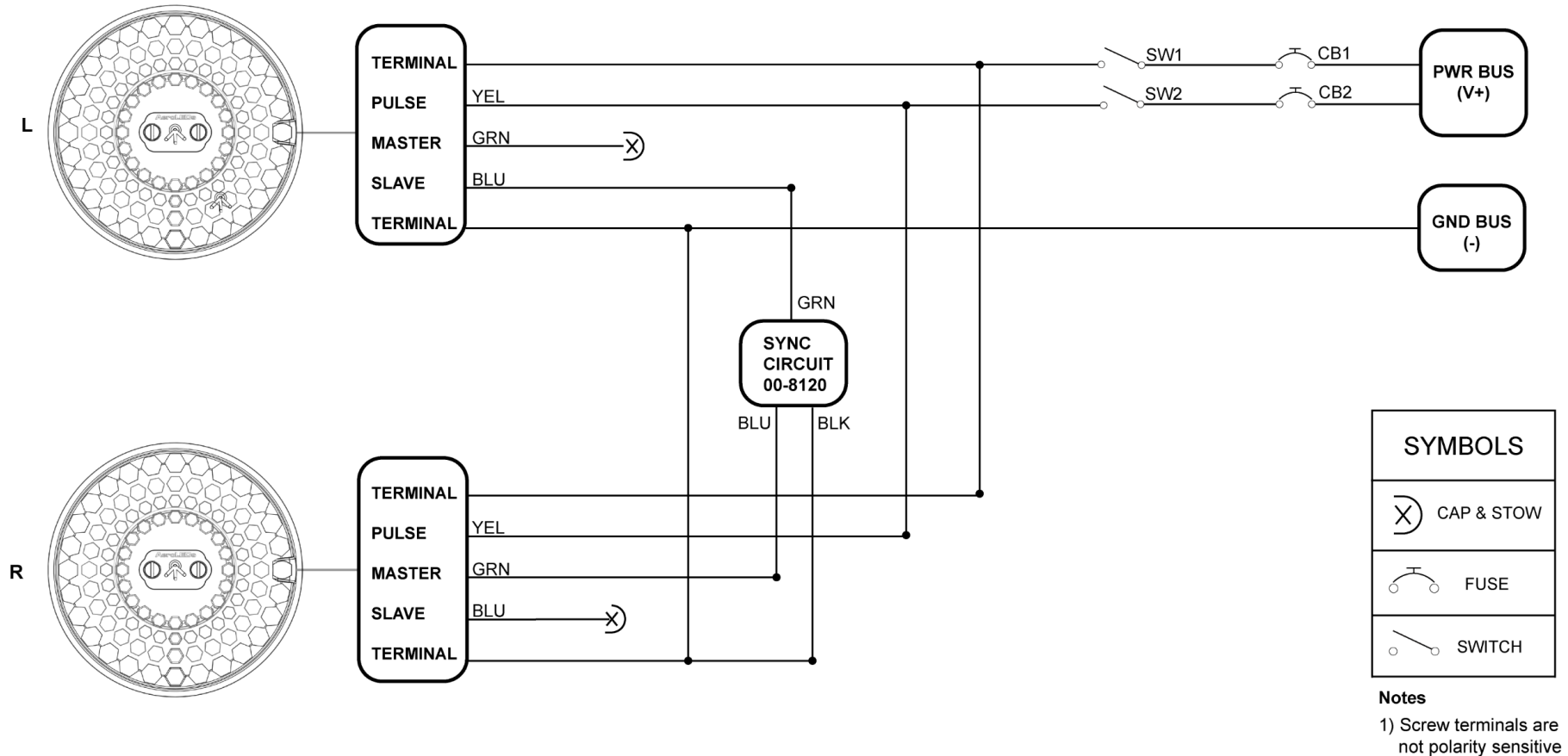


Figure 4-1