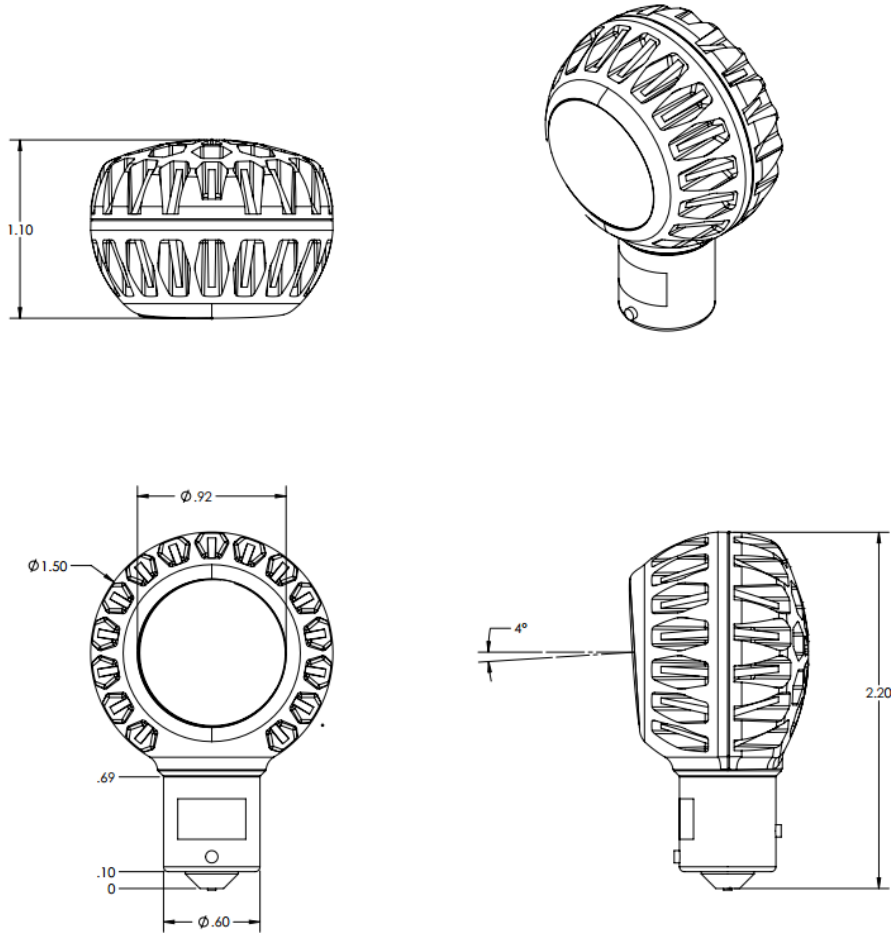




**Product Datasheet**  
**Starlight 7079 Bulb Replacement**  
 01-7079-24



Voltage:	28 VDC	Length:	1.1"
Current:	0.215A at 28VDC	Width:	1.5"
Power:	6 Watts	Depth:	2.2"
Pulse:	N/A	Weight:	1.4 Oz
Wig Wag Sync:	N/A	Heat Sink Material:	Aluminum/Black Powder Coat
Thermal Protection:	N/A	Lens Material:	Polycarbonate
Lumens:	500	Lens Protection:	N/A
Candela:	3,700	Mounting:	BAY15S socket
Beam Angle:	30°x30°	MTBF:	>30,000 Hours
LED Count:	1	Temperature Range:	-55C to +70C
Color Temperature:	3500K, 90 CRI		