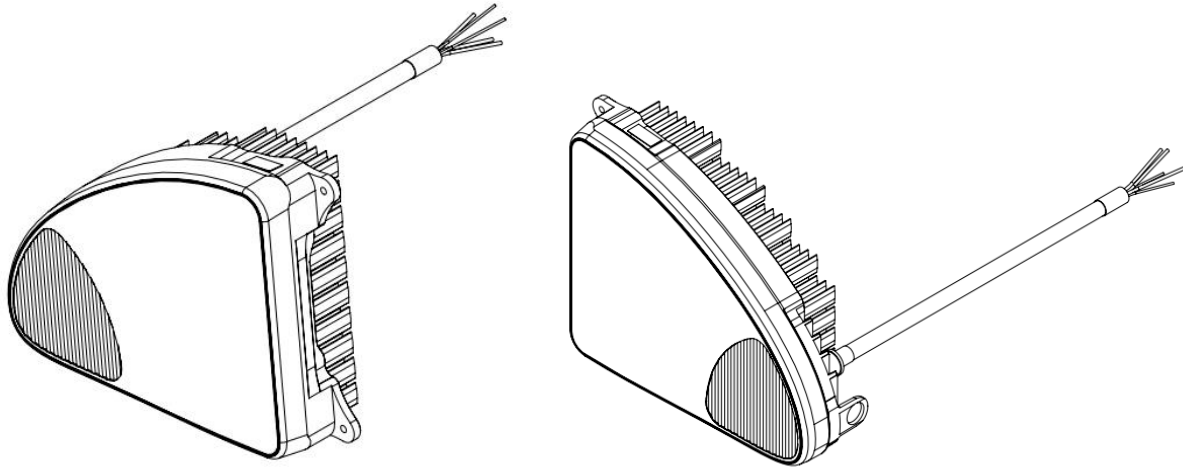




## Product Datasheet

# Aerosun Cx Landing/Taxi/Recognition Lights 01-2900-L/R



Voltage:	9-40VDC	Length:	2.7"
Current:	14.3A total for pair at 14VDC, 3.4A taxi mode	Width:	2.7"
Power:	100 Watts per light, 200W pair	Depth:	1.1"
Pulse:	Built In	Weight:	32 Oz combined
Wig Wag Sync:	Built In, optional unison mode with module	Heat Sink Material:	Aluminum/Black Anodized
Thermal Protection:	Built In	Lens Material:	Polycarbonate
Lumens:	22,000 combined	Lens Protection:	N/A
Candela:	300,000 combined	Mounting:	Mounting Kit
Beam Angle:	13°x13°	MTBF:	>30,000 Hours
LED Count:	30 combined	Temperature Range:	-55C to +70C