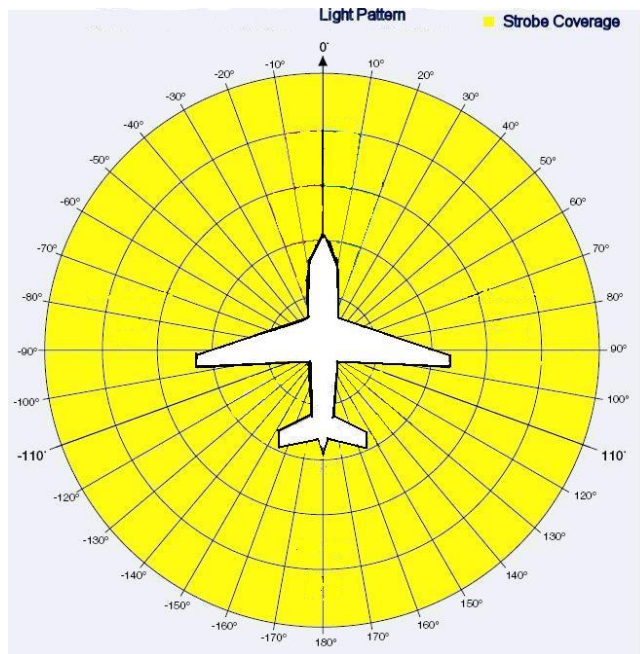
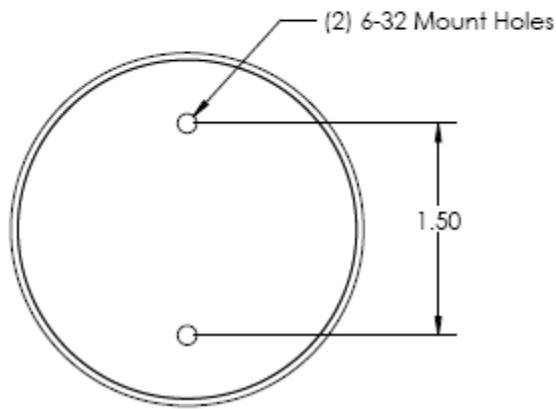
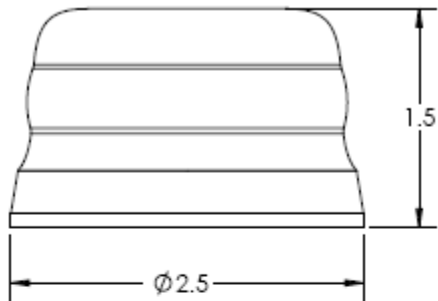




Product Datasheet

SunBeacon II 360 White LED Beacon

11-2200-B



Voltage: 9-36VDC
 Strobe Average Current: 0.8A at 14V, 0.4A at 28V
 Strobe Peak Current: 6A at 14V, 3A at 28V
 Power: 12 Watts Average
 Power Supply: Built In
 Synchronization: Built In
 Thermal Protection: Built In
 Beacon: TSO-C96a Class II
 LED Count: 24

Length: 2.5"
 Width: 2.5"
 Height: 1.5"
 Weight: 4.1 Oz
 Heat Sink Material: Aluminum/Clear Anodized
 Lens Material: Polycarbonate
 MTBF: >30,000 Hours
 Temperature Range: -55C to +70C