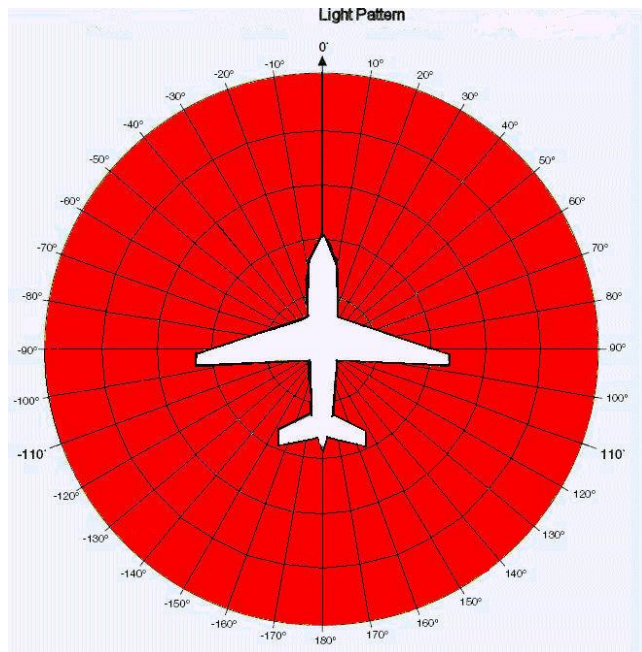
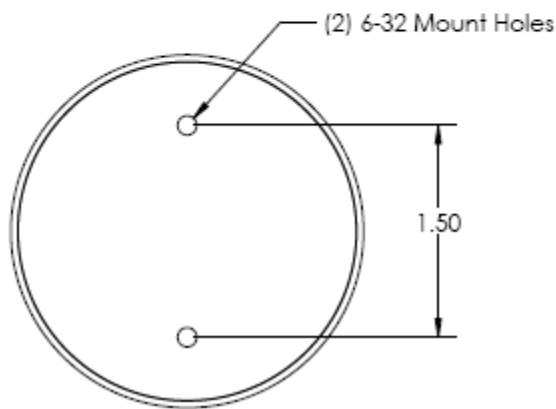
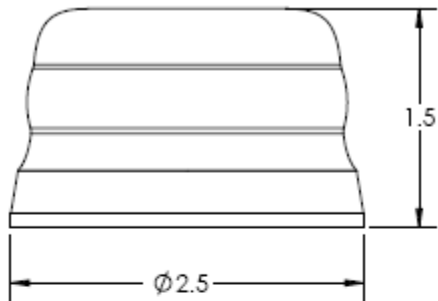




Product Datasheet
SunBeacon II 360 Red LED Beacon
11-2200-A



Voltage: 9-36VDC
 Strobe Average Current: 0.5A at 14V, 0.25A at 28V
 Strobe Peak Current: 4A at 14V, 2A at 28V
 Power: 6.5 Watts Average
 Power Supply: Built In
 Synchronization: Built In
 Thermal Protection: Built In
 Beacon: TSO-C96a Class I and Class III
 LED Count: 24

Length: 2.5"
 Width: 2.5"
 Height: 1.5"
 Weight: 4.1 Oz
 Heat Sink Material: Aluminum/Clear Anodized
 Lens Material: Polycarbonate
 MTBF: >30,000 Hours
 Temperature Range: -55C to +70C