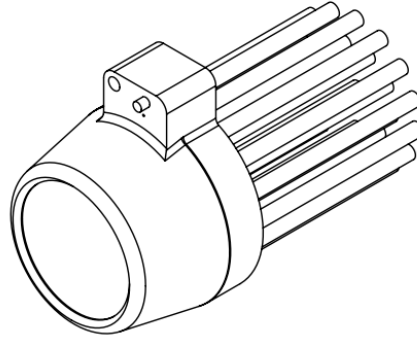




Product Datasheet
Aerosun MX Landing Light Module
01-2800



Voltage:	3.3 VDC (requires external driver)	Length:	2.7"
Current:	2.5 Amps Max	Width:	1.5"
Power:	8 Watts	Depth:	1.8"
Pulse:	With PCU	Weight:	2.3 Oz
Wig Wag Sync:	With PCU	Heat Sink Material:	Aluminum/Black Anodized
Thermal Protection:	PM/PCU	Lens Material:	Polycarbonate
Lumens:	908	Lens Protection:	N/A
Candela:	20,000	Mounting:	#6-32 screw
Beam Angle:	10°x10°	MTBF:	>30,000 Hours
LED Count:	1	Temperature Range:	-55C to +70C