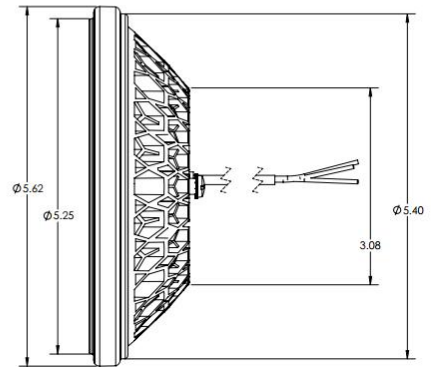
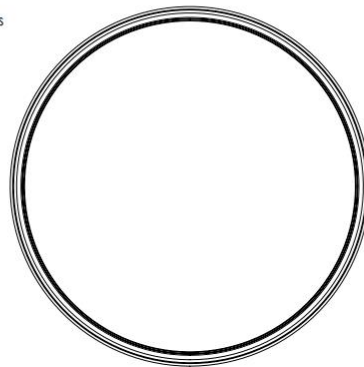
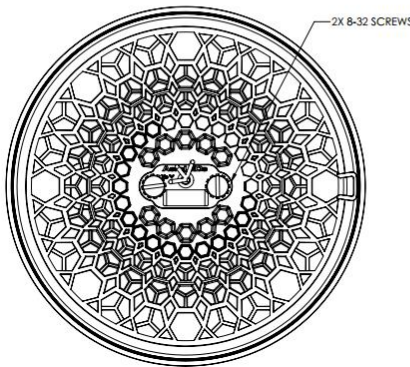
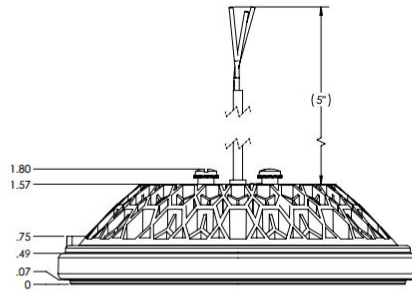




Product Datasheet

SunSpot 46 Landing/Recognition Light
01-2130-HX



Voltage:	9-40VDC	Length:	5.6"
Current:	2.5A at 28VDC	Width:	5.6"
Power:	70 Watts	Depth:	1.7"
Pulse:	Built In	Weight:	20 Oz
Wig Wag Sync:	Built In, optional unison mode with module	Heat Sink Material:	Aluminum/Black Powder Coat
Thermal Protection:	Built In	Lens Material:	Polycarbonate
Lumens:	7,700	Lens Protection:	Optional Film
Candela:	150,000	Mounting:	PAR 46 Ring Clamp
Beam Angle:	10°x10°	MTBF:	>30,000 Hours
LED Count:	9	Temperature Range:	-55C to +70C