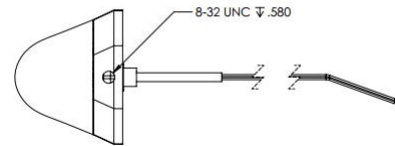
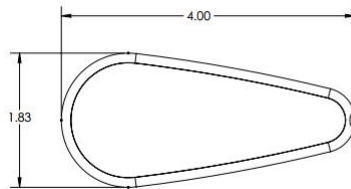
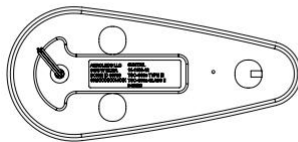
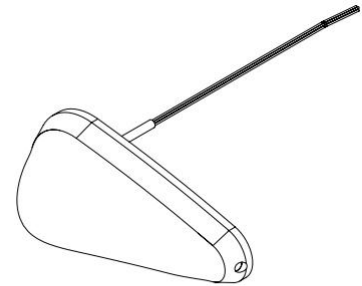
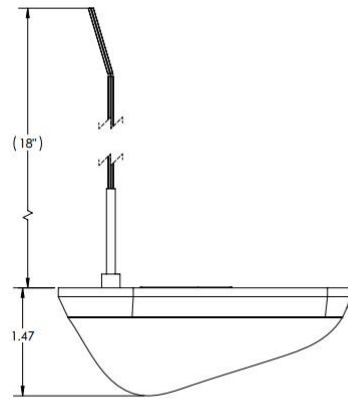




**Product Datasheet**  
**Pulsar NS Nav/Strobe Light**  
**01-1280-B-12-(L/R) red and green**



Voltage:	9-18VDC	Length:	4"
Position Light Current:	0.8A at 14V combined	Width:	1.9"
Strobe Peak Current:	10A at 14V for 0.19 seconds combined	Height:	1.5"
Power:	52 Watts Average combined	Weight:	6.6 Oz
Strobe Power Supply:	Built In	Heat Sink Material:	Aluminum/Clear Anodized
Strobe Synchronization:	Built In	Lens Material:	Polycarbonate
Thermal Protection:	Built In	Screw Mount:	Bracket with set screw
Nav Light:	>100 candela	MTBF:	>30,000 Hours
Strobe:	>400 effective candela	Temperature Range:	-55C to +70C
LED Count:	46 combined		

