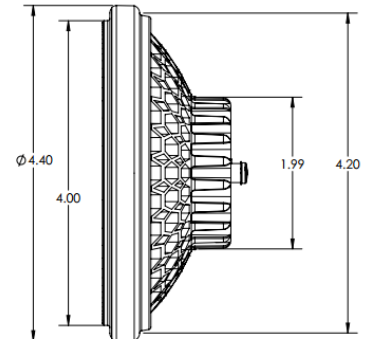
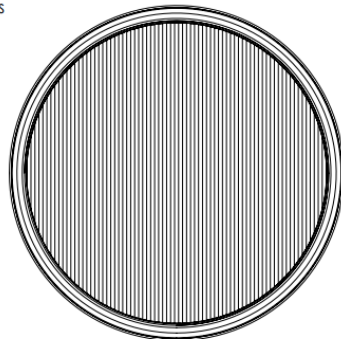
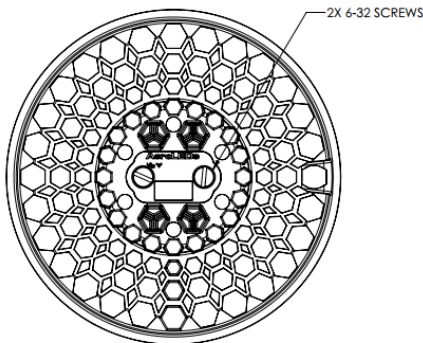
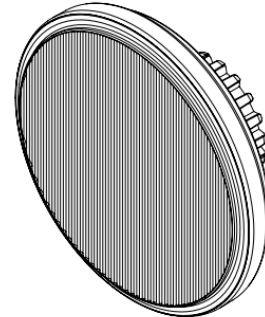
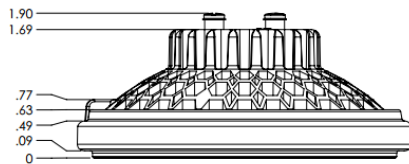




Product Datasheet

SunSpot 36LX Taxi Light

01-1030-L-B



Voltage: 9-40VDC
 Current: 3.2A at 14VDC
 Power: 45 Watts
 Pulse: N/A
 Wig Wag Sync: N/A

Thermal Protection: Built In
 Lumens: 4,950
 Candela: 15,000
 Beam Angle: 10°x40°
 LED Count: 16

Length: 4.4"
 Width: 4.4"
 Depth: 1.9"
 Weight: 10.1 Oz
 Heat Sink Material: Aluminum/Black Powder Coat
 Lens Material: Polycarbonate
 Lens Protection: Optional Film
 Mounting: PAR 36 Ring Clamp
 MTBF: >30,000 Hours
 Temperature Range: -55C to +70C