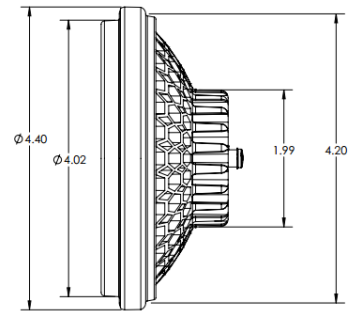
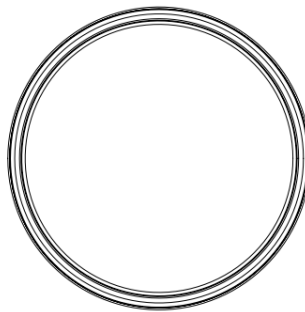
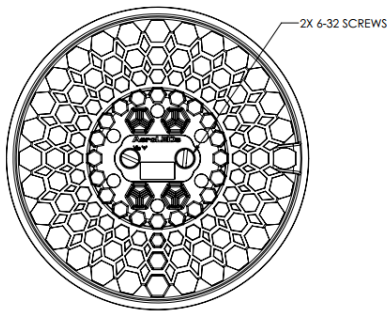
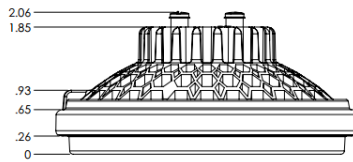
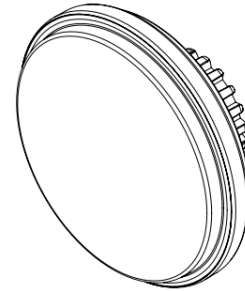




Product Datasheet

SunSpot 36-4596 Landing Light
01-1030-4596



Voltage: 28VDC
 Current: 3.5A at 28VDC
 Power: 100 Watts
 Pulse: N/A
 Wig Wag Sync: N/A
 Thermal Protection: Built In
 Lumens: 11,000
 Candela: 150,000
 Beam Angle: 10°x10°
 LED Count: 15

Length: 4.4"
 Width: 4.4"
 Depth: 2.1"
 Weight: 11.5 Oz
 Heat Sink Material: Aluminum/Black Powder Coat
 Lens Material: Polycarbonate
 Lens Protection: Optional Film
 Mounting: PAR 36 Ring Clamp
 MTBF: >30,000 Hours
 Temperature Range: -55C to +70C