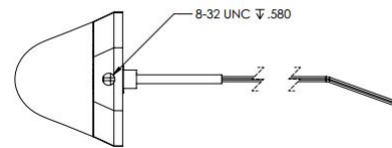
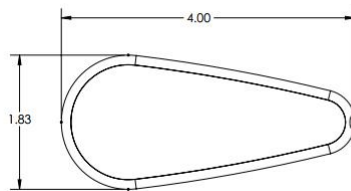
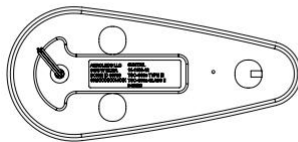
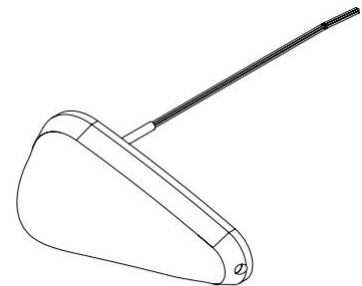
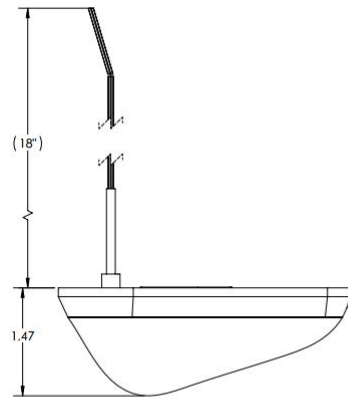




Product Datasheet
Pulsar NSP Nav/Position/Strobe Light
11-1280-C-12-(L/R) red and green



Voltage:	9-18VDC	Length:	4"
Position Light Current:	0.8A at 14V combined	Width:	1.9"
Strobe Peak Current:	10A at 14V for 0.19 seconds combined	Height:	1.5"
Power:	52 Watts Average combined	Weight:	6.6 Oz
Strobe Power Supply:	Built In	Heat Sink Material:	Aluminum/Clear Anodized
Strobe Synchronization:	Built In	Lens Material:	Polycarbonate
Thermal Protection:	Built In	Mounting:	Bracket with set screw
Nav/Position Light:	TSO C-30c Type I, Type II, Type III	MTBF:	>30,000 Hours
Strobe:	TSO C-96a Class II	Temperature Range:	-55C to +70C
LED Count:	48 combined		

