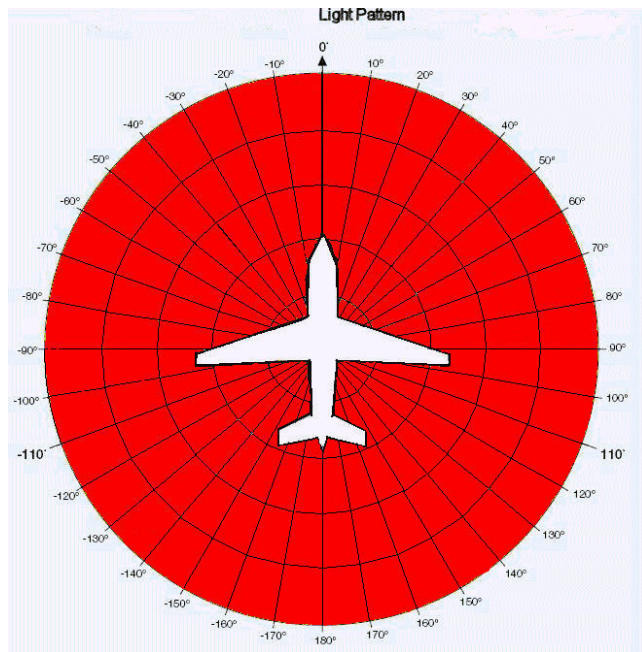
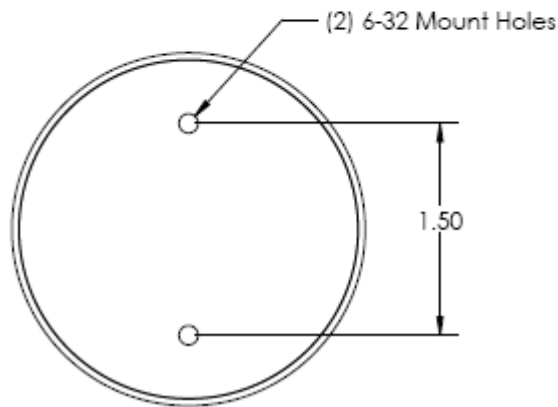
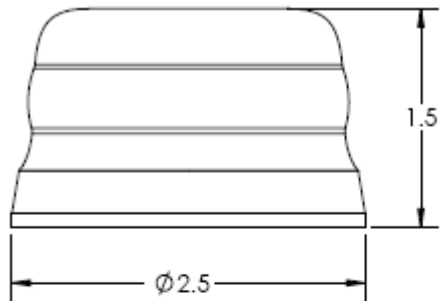




**Product Datasheet**  
**SunBeacon II 360 Red LED Beacon**  
**01-2200-A**



Voltage Range: 9-36VDC  
 Strobe Average Current: 0.5A at 14V, 0.25A at 28V  
 Strobe Peak Current: 4.0A at 14V, 2A at 28V  
 Power Consumption: 6.5 Watts Average  
 Power Supply: Built In  
 Synchronization: Built In  
 Thermal Protection: Built In  
 Strobe: Exceeds 300 ECP Red  
 (Class I and Class III)  
 LED Count: 24

Height: 1.5"  
 Width: 2.5"  
 Length: 2.5"  
 Weight: 8 Oz  
 Heat Sink Material: Clear Anodized Aluminum  
 Lens Material: Polycarbonate  
 Rated Life: 50,000 Hours  
 Temperature Range: -55C to +70C