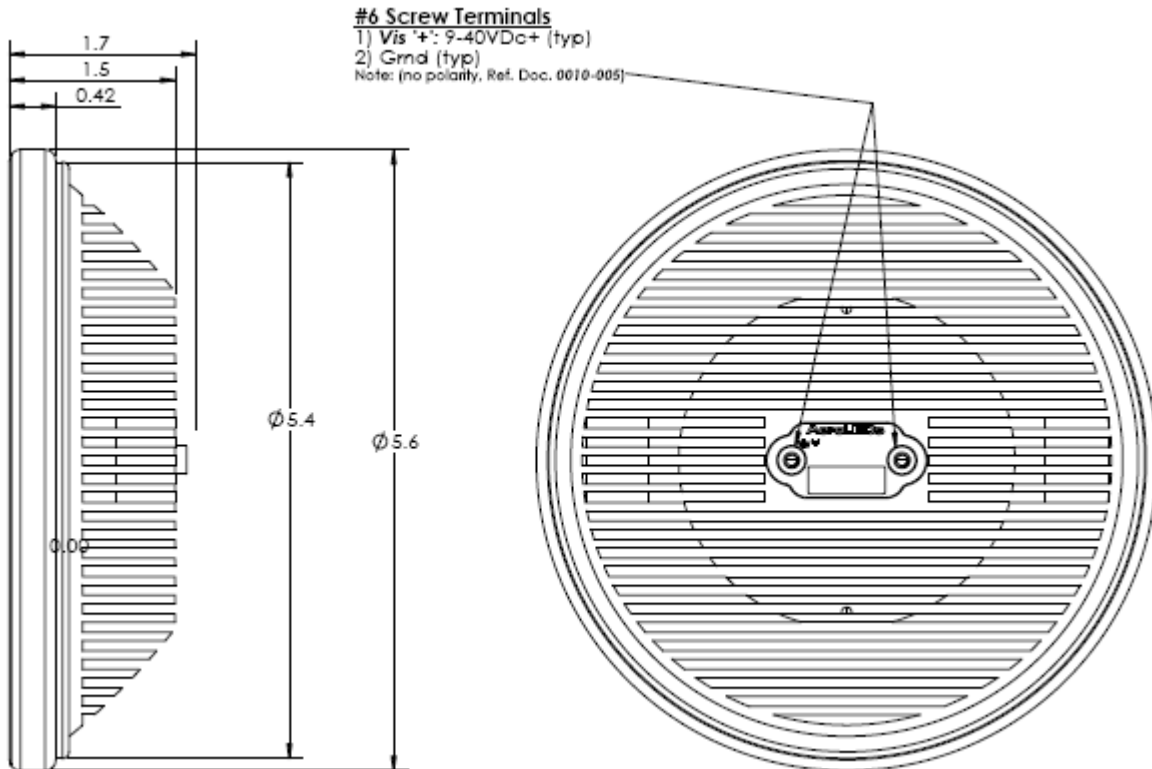




## Product Datasheet

# SunSpot 46 Landing Light 01-2130-LX



Voltage Range: 9-40VDC  
 Current Draw at 28VDC: 2.5 Amps Max  
 Power Consumption: 70 Watts Max  
 Thermal Protection: Built In  
 Landing Lens Candela: 120,000+  
 Landing Beam Angle: 10 Degrees  
 Total LED Lumens: 4000+  
 LED Count: 9

Height: 5.6" Diameter (round)  
 Width: 5.6" Diameter (round)  
 Depth: 1.7"  
 Weight: 11 Oz  
 Heat Sink Material: Black Anodized Aluminum  
 Lens Material: Polycarbonate  
 Lens Protection: UV Resistant Hard Coat  
 Clamp Mount Option: PAR 46 Ring Clamp  
 Rated Life: 50,000 Hours  
 Temperature Range: -55C to +70C