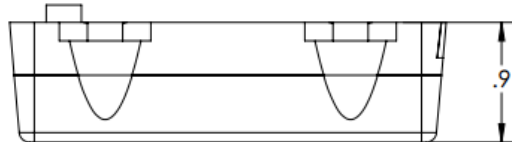
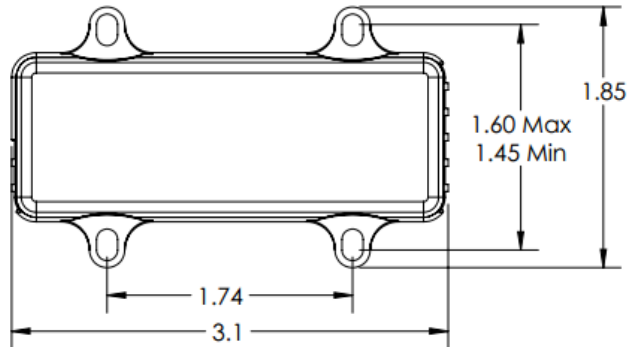
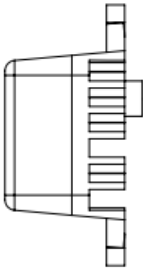




Product Datasheet

MicroSun Taxi/Recognition Light 01-1170-A



Voltage Range: 9-36VDC
 Current Draw at 14VDC: 1.5 Amps Max
 Power Consumption: 21 Watts Max
 Pulse Light Feature: Built In
 Wig Wag Sync: Built In
 Thermal Protection: Built In
 Candela: 8,000+
 Beam Angle: 30 Degrees
 Total LED Lumens: 1500+
 LED Count: 3

Height: 1.2"
 Width: 3.1"
 Depth: 0.9"
 Weight: 2.25 Oz
 Heat Sink Material: Black Anodized Aluminum
 Lens Material: Polycarbonate
 Screw Mount: 4x 6-32 Machine Screws
 Rated Life: 50,000 Hours
 Temperature Range: -55C to +70C