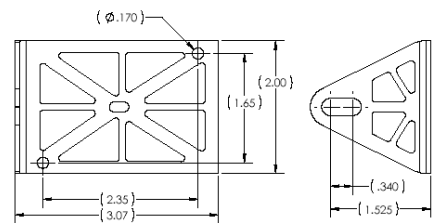
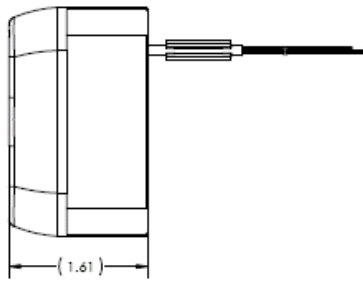
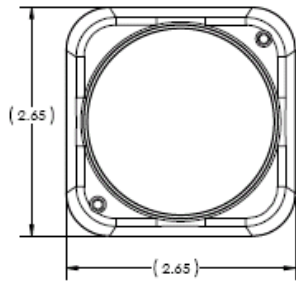
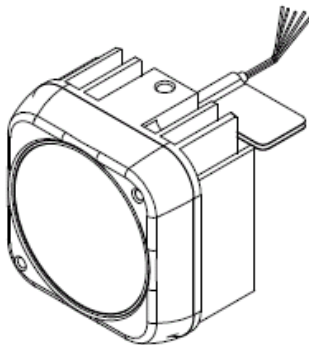
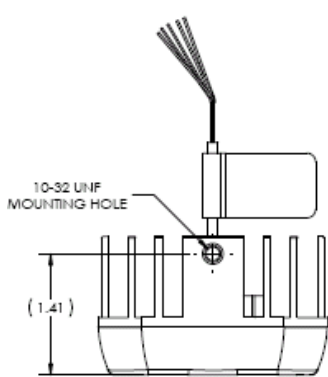




Product Datasheet

SunRay Plus Landing/Taxi/Recognition Light 01-1150



Option Mount p/n 00-1016

Voltage Range: 9-36VDC
 Current Draw at 12VDC: 0.7 Amps at 14V
 Power Consumption: 10 Watts Max
 Pulse Light Feature: Built In
 Wig Wag Sync: Built In
 Thermal Protection: Built In
 Candela: 30,000+
 Beam Angle: 6 Degrees
 Total LED Lumens: 1000+
 LED Count: 1

Height: 2.65"
 Width: 2.65"
 Depth: 1.61"
 Weight: 5 Oz
 Heat Sink Material: Black Anodized Aluminum
 Lens Material: Polycarbonate
 Screw Mount: 10-32 Lug or 2x 6-32 Face
 Rated Life: 50,000 Hours
 Temperature Range: -55C to +70C