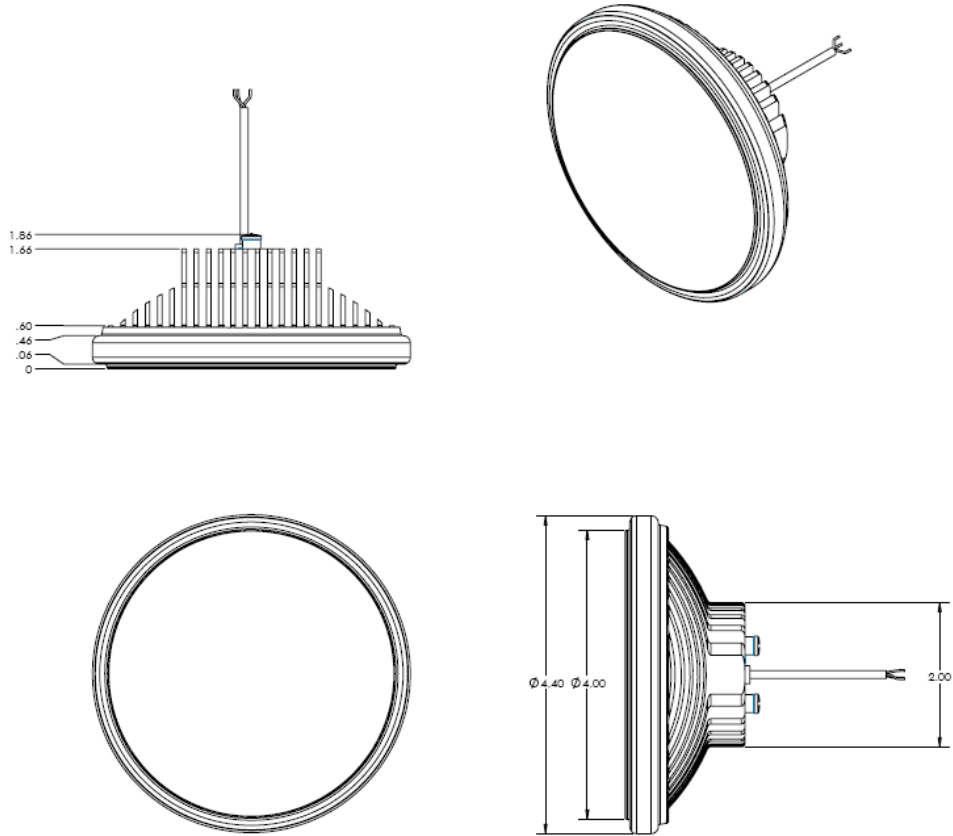




Product Datasheet
SunSpot 36HX Landing or Taxi with Recognition Light
 01-1030-H-A (landing) or 01-1030-H-B (taxi)



Voltage Range: 9-36VDC
 Current Draw at 12VDC: 3.75 Amps Max
 Power Consumption: 45 Watts Max
 Pulse Light Feature: Built In
 Wig Wag Sync: Built In
 Thermal Protection: Built In
 Landing Lens Candela: 50,000+
 Taxi Lens Candela: 15,000+
 Landing Beam Angle: 10 Degrees
 Taxi Beam Angle: 10 Deg V, 40 Deg H
 Total LED Lumens: 1500+
 LED Count: 16

Height: 4.4" Diameter (round)
 Width: 4.4" Diameter (round)
 Depth: 1.86"
 Weight: 10 Oz
 Heat Sink Material: Black Anodized Aluminum
 Lens Material: Polycarbonate
 Lens Protection: UV Resistant Hard Coat
 Clamp Mount: PAR 36 Ring Clamp
 Rated Life: 50,000 Hours
 Temperature Range: -55C to +70C