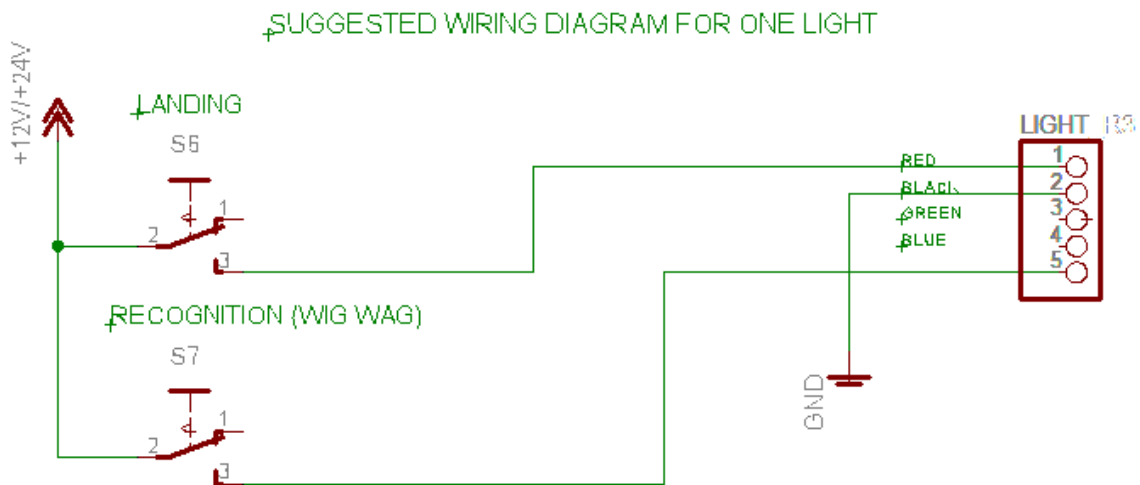


AeroLEDs Wiring Diagrams

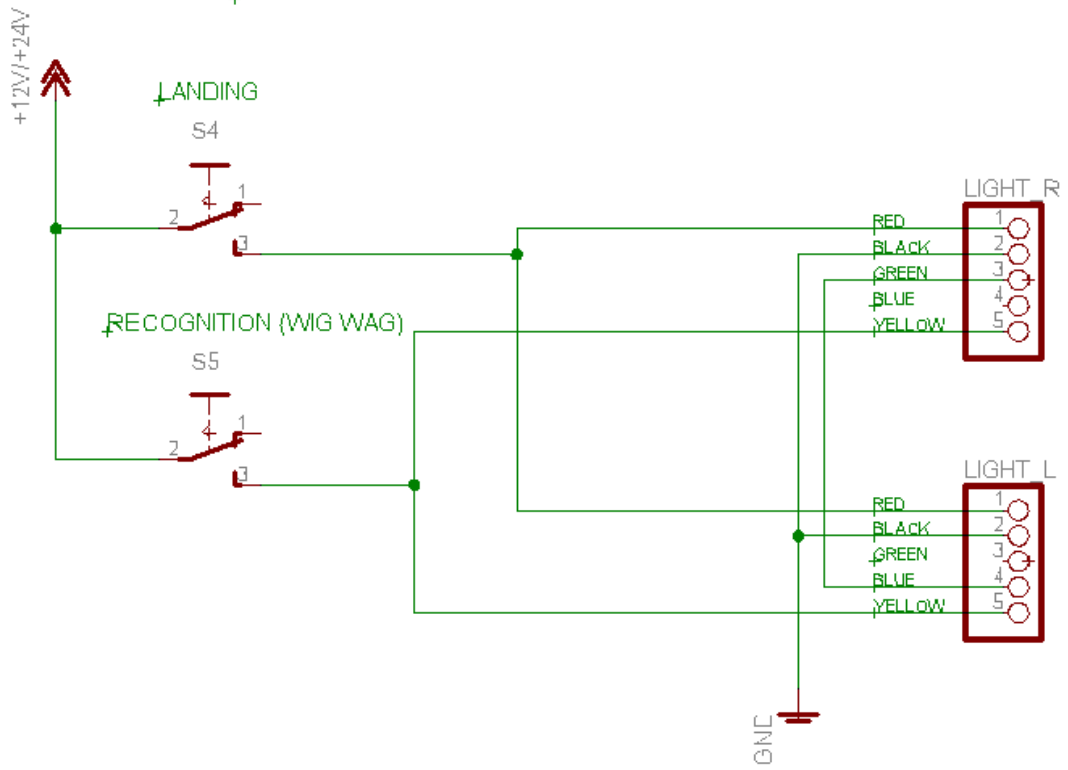
The landing/taxi/recognition pinout is:

Pin Number	Wire Color	Function
1	Red	Steady On Power Input
2	Black	Ground
3	Green	Master Output
4	Blue	Slave Input
5	Yellow	Pulse Mode Power Input (Wig Wag)

Note that power applied to the yellow wire supercedes power applied to the red wire, so the unit will flash anytime power is applied to the yellow wire.



SUGGESTED WIRING DIAGRAM FOR TWO LIGHTS



SUGGESTED WIRING DIAGRAM FOR FOUR LIGHTS

